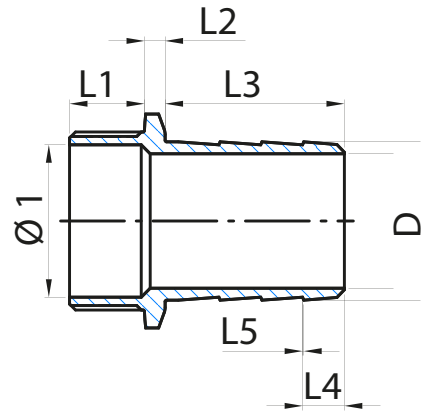


Fig. 315

**RACCORDS EXPRESS HEXAGONAL
HOSE NIPPLE**



ISO 4144



INFORMATION TECHNIQUE - TECHNICAL INFORMATION

| DN | CODE | DIMENSIONS - DIMENSIONS | | | | | | | Poids approx. Weight aprox. (kg) |
|-----------------|----------|-------------------------|-----------|------------|------------|------------|------------|------------|--|
| | | Ø 1 (mm) | D (mm) | L1 (mm) | L2 (mm) | L3 (mm) | L4 (mm) | L5 (mm) | |
| 1/8" x 8 mm. | I3156000 | 5,5 | 8,0 | 8,0 | 4,0 | 26 | 6,0 | 0,4 | 0,015 |
| 1/4" x 9 mm. | I3156001 | 8,0 | 9,0 | 10,5 | 4,0 | 28 | 6,5 | 0,4 | 0,020 |
| 3/8" x 11 mm. | I3156002 | 11,5 | 11,5 | 11,0 | 5,0 | 33 | 7,5 | 0,4 | 0,040 |
| 1/2" x 15 mm. | I3156003 | 15,0 | 15,0 | 14,5 | 5,0 | 38 | 8,5 | 0,4 | 0,045 |
| 3/4" x 20 mm. | I3156004 | 20,5 | 20,0 | 15,5 | 5,5 | 45 | 10,5 | 0,4 | 0,075 |
| 1" x 27 mm. | I3156005 | 26,0 | 27,0 | 18,0 | 6,0 | 52 | 12,0 | 0,4 | 0,120 |
| 1 1/4" x 33 mm. | I3156006 | 34,5 | 33,0 | 20,5 | 6,5 | 52 | 12,0 | 0,4 | 0,170 |
| 1 1/2" x 40 mm. | I3156007 | 40,0 | 39,5 | 20,5 | 6,5 | 56 | 13,0 | 0,4 | 0,285 |
| 2" x 53 mm. | I3156008 | 51,0 | 52,0 | 25,0 | 7,0 | 60 | 14,0 | 0,4 | 0,435 |
| 2 1/2" x 66 mm. | I3156009 | 65,5 | 67,0 | 27,0 | 7,0 | 65 | 14,0 | 0,4 | 0,625 |
| 3" x 80 mm. | I315600A | 77,5 | 80,0 | 30,0 | 7,5 | 70 | 15,0 | 0,4 | 0,915 |
| 4" x 105 mm. | I315600C | 102,0 | 105,0 | 36,0 | 8,0 | 73 | 15,0 | 0,4 | 1,385 |

CARACTERISTIQUES DE BASE

- Fabriqué en acier inoxydable austénitique AISI 316 avec traitement thermique standard.
- Méthode de fabrication: Fusion.
- Dimensions selon norme ISO 4144.
- Filets selon norme NF EN 10226-1 / ISO 7-1 (type R-Rp).
- Température de travail: de -20 à 220 °C.
- Pression de travail: PN 20.

DOMAINES D'APPLICATION

- Fluides, air, vapeur, huiles et gaz.

Note : En raison de l'évolution constante de nos produits, ces spécifications peuvent être modifiées sans préavis.

Note : Due to the continuous development of our products, specifications may be changed without notification at any time.

BASIC FEATURES

- Made of austenitic stainless steel AISI 316 with standard heat treatment.
- Production method: Fusion.
- Dimensions according to ISO 4144 standard.
- Threads according to EN 10226-1 / ISO 7-1 (type R-Rp).
- Working temperature range: -20 to 220 °C.
- Maximal working pressure: PN 20.

GENERAL APPLICATIONS

- Water, air, steam, oil and gas.



Polígono Industrial ATUSA - Agurain S/N - 01200 Salvatierra (Alava) España
Tel.: (+34) 945 18 00 00 Fax : (+34) 945 30 01 53 e-mail: ventas@atusa.es
www.atusa.es



Rev.1-10.19